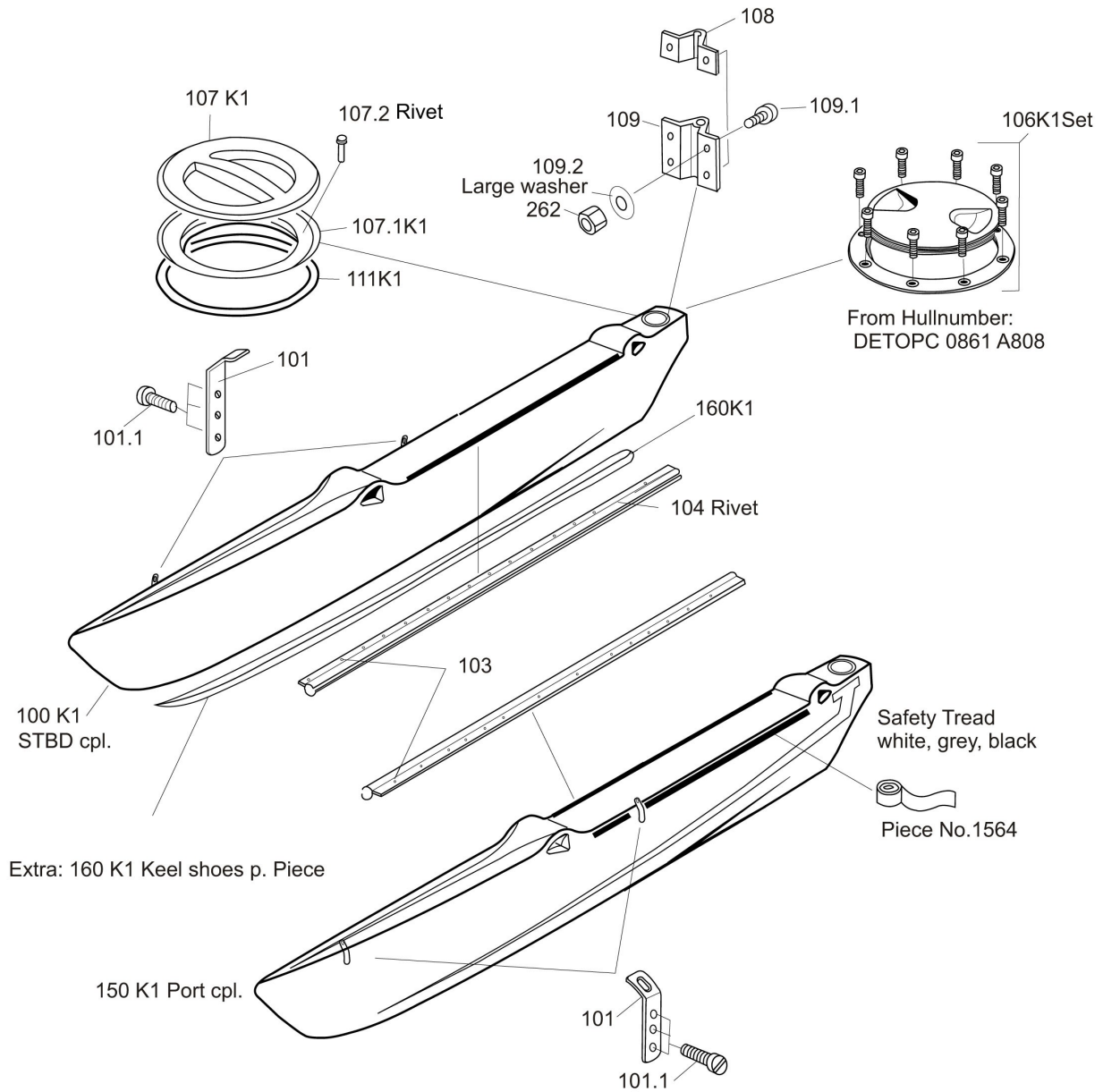


TOPCAT®

K1

100 K1

05/15

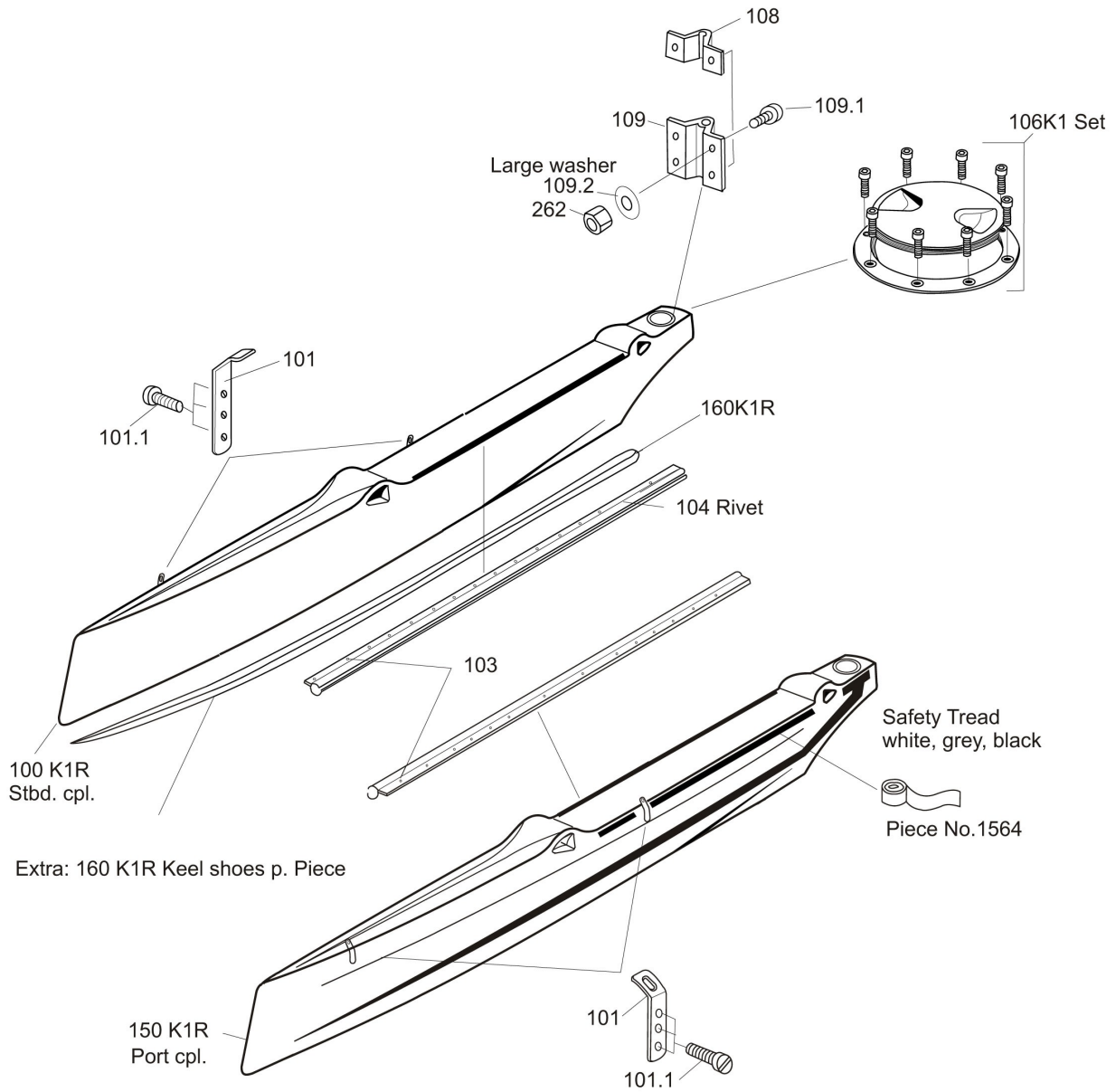


TOPCAT®

K1

100 K1

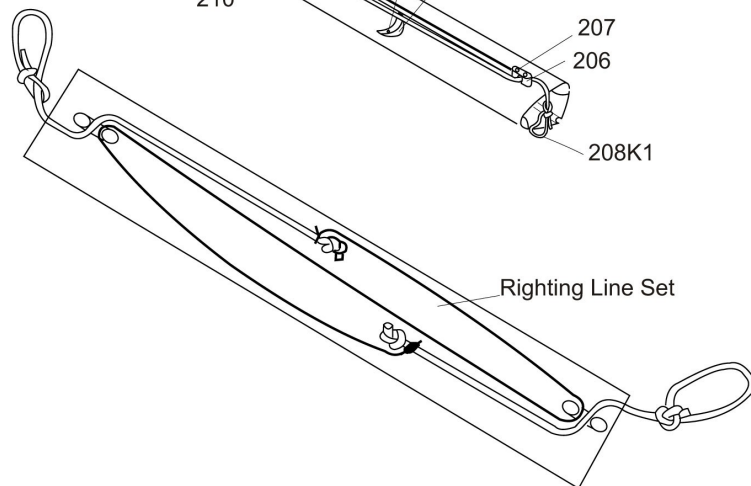
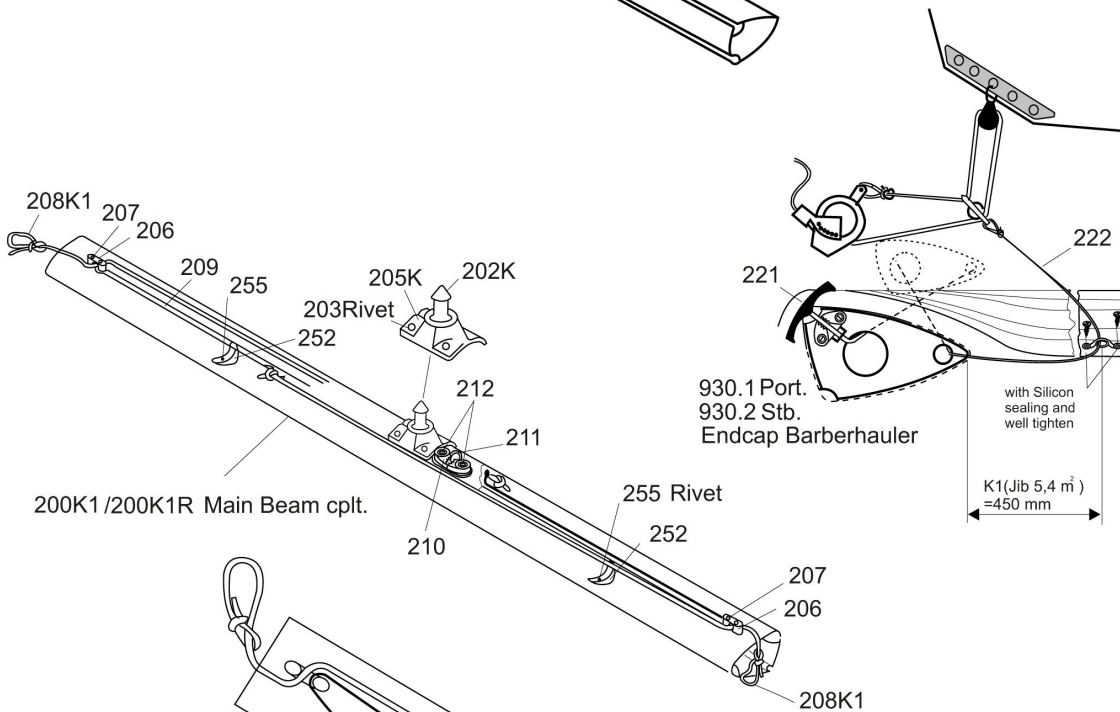
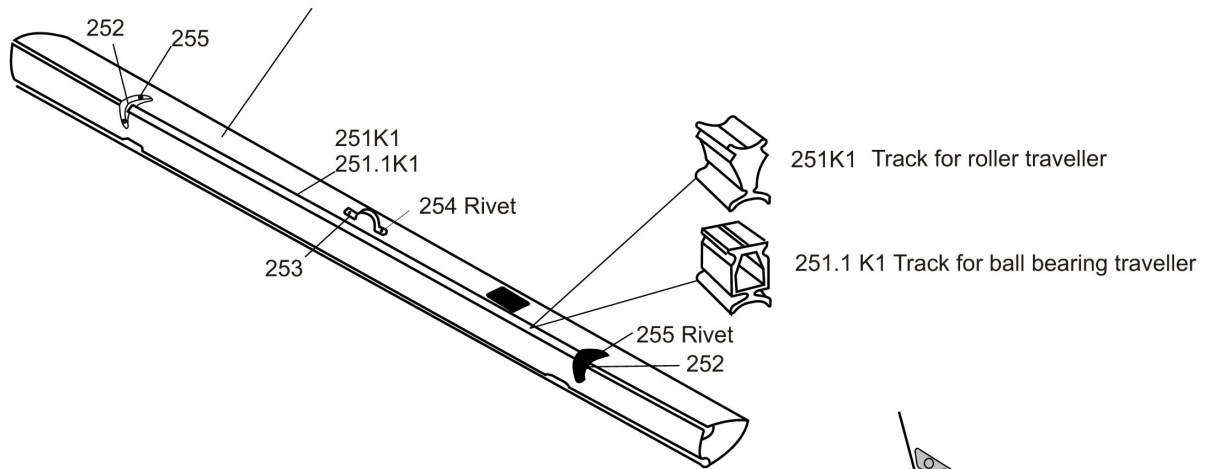
05/15



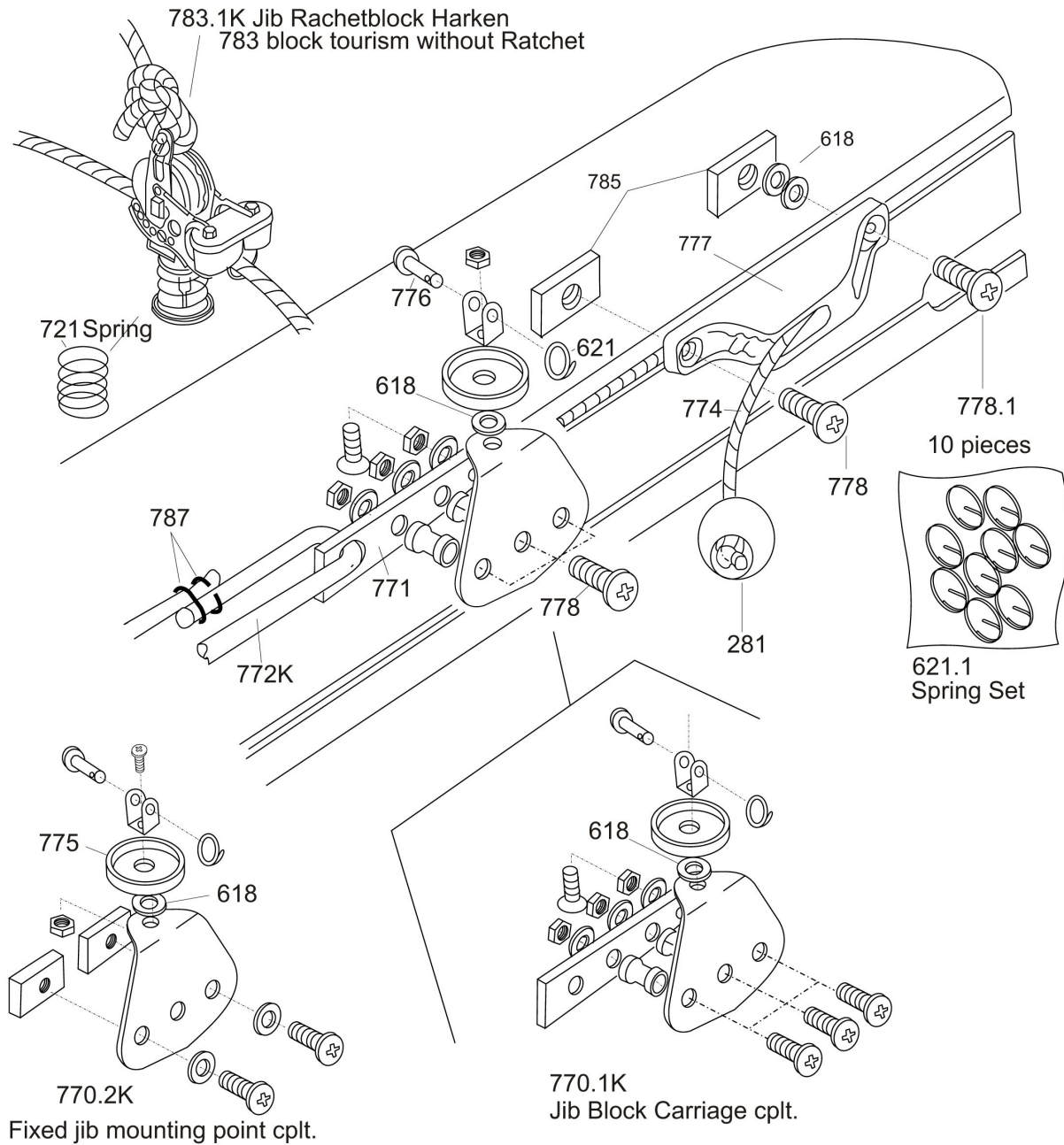
TOPCAT® **K1**

200 K1
05/15

250K1/250K1R Rear Beam cplt. Without traveller and track



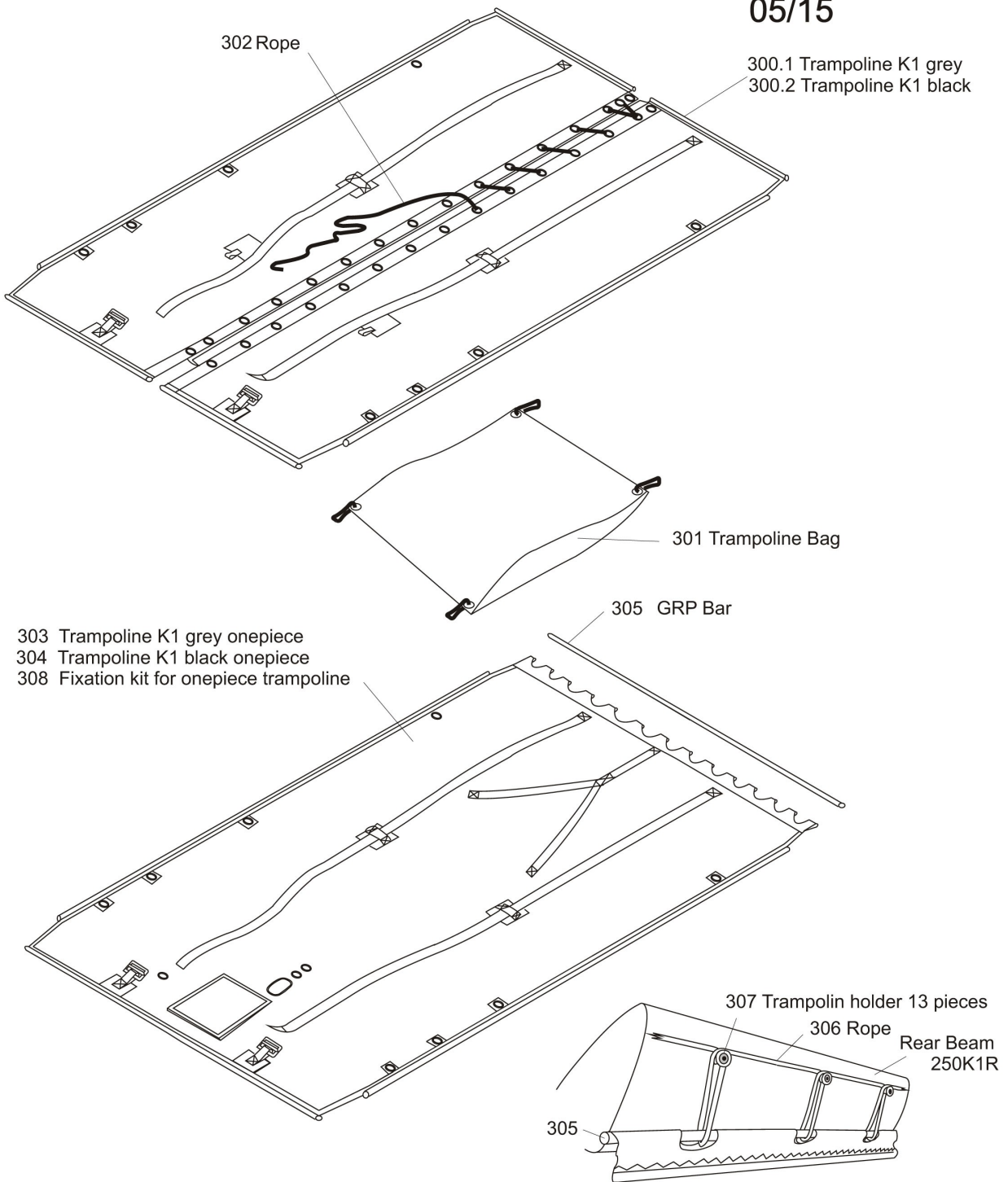
770 K Jib block sliding set cplt.



TOPCAT® K1

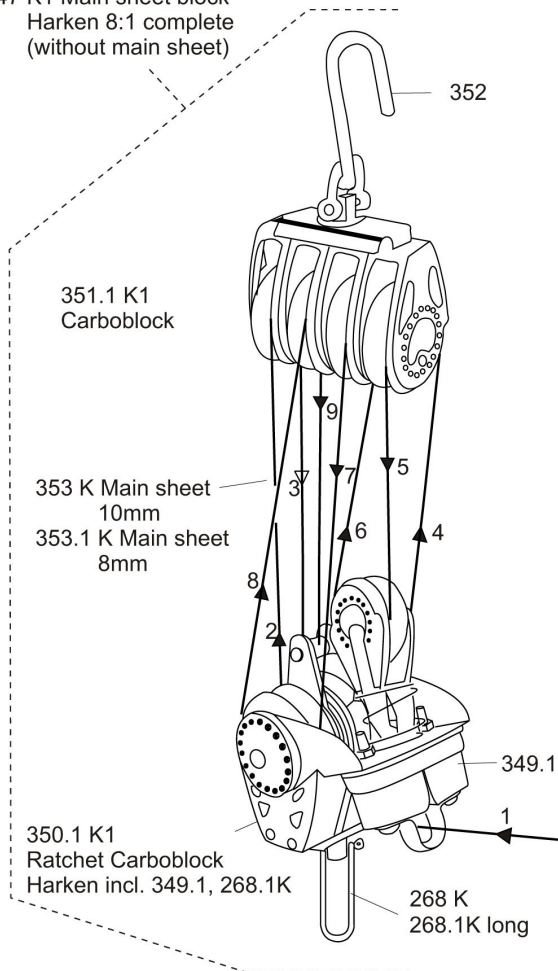
300 K1

05/15

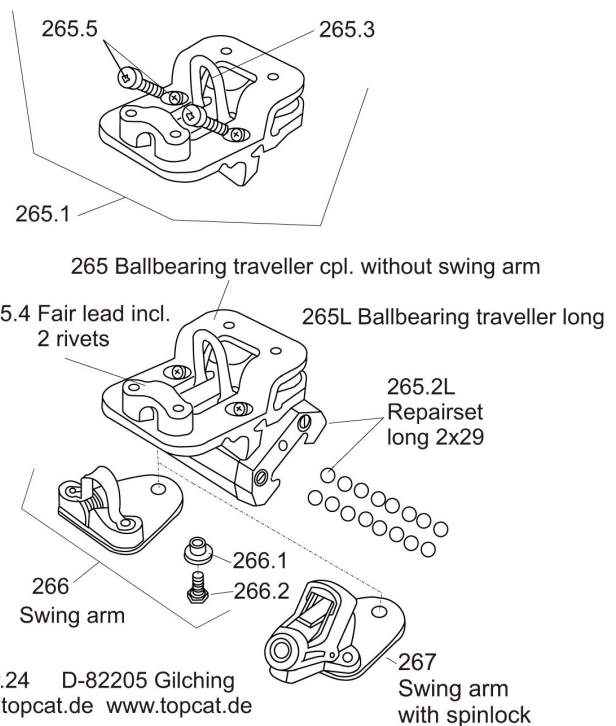
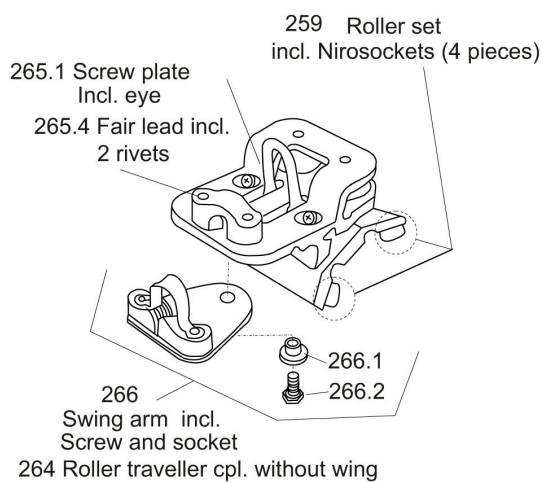
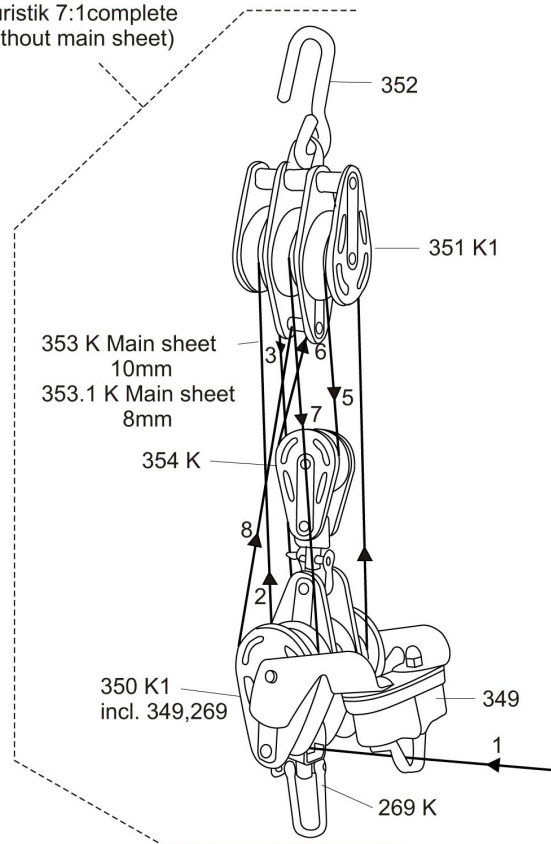


350 K1 05/15

347 K1 Main sheet block
Harken 8:1 complete
(without main sheet)



345 K1
Main sheet block
touristik 7:1 complete
(without main sheet)



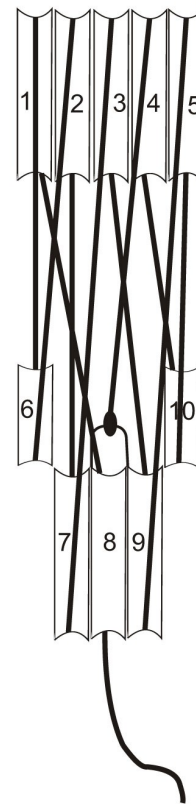
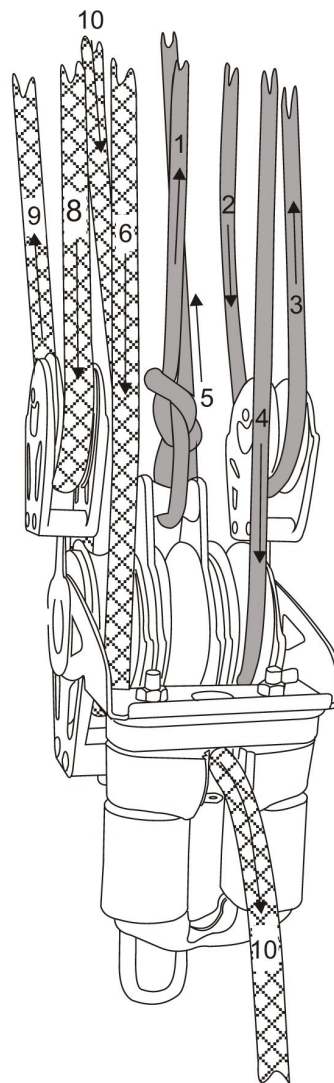
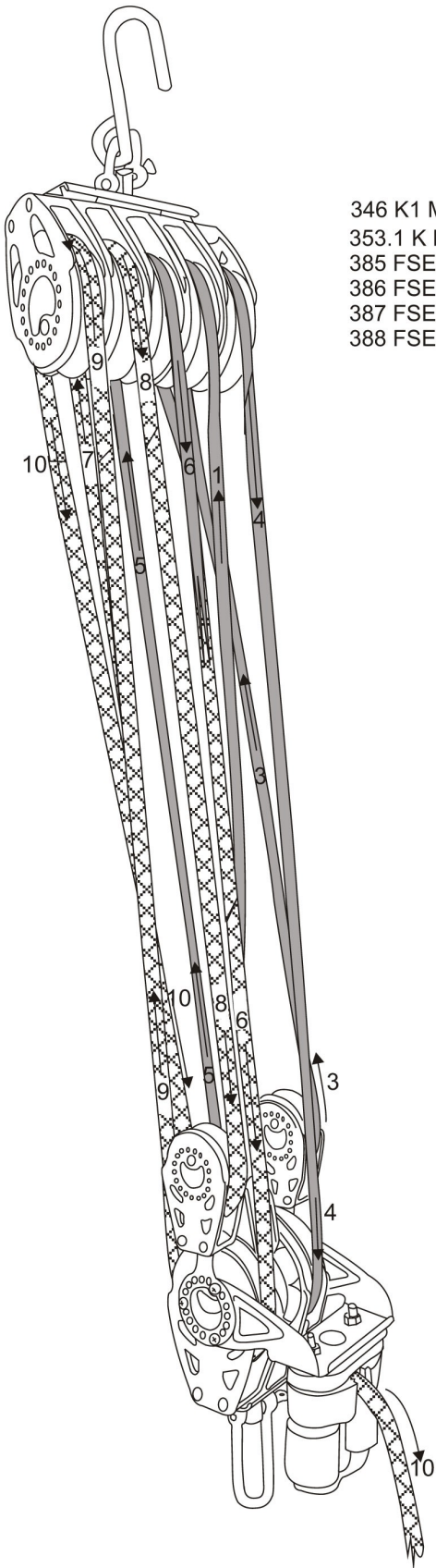
TOPCAT®

K1

350 K1

05/15

- 346 K1 Main sheet block complete K1 Harken 10:1
- 353.1 K Main sheet 8 mm
- 385 FSE Racing Sheet set (386,387,388)
- 386 FSE Main sheet racing
- 387 FSE Jib sheet racing
- 388 FSE Gennaker sheet racing



- Becket
4 front
10 rear
5 rear
9 front
3 rear
7 front
2 rear
6 front
1 front
8 rear

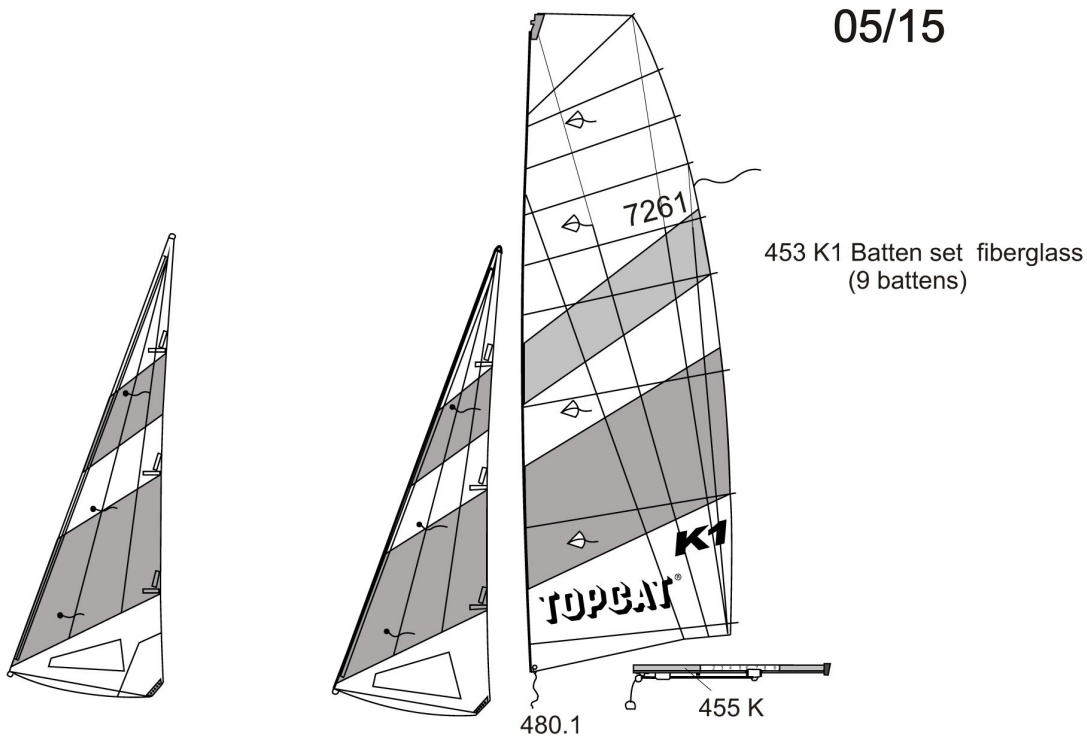
TOPCAT®

K1

K1 Streamcut

400 K1

05/15

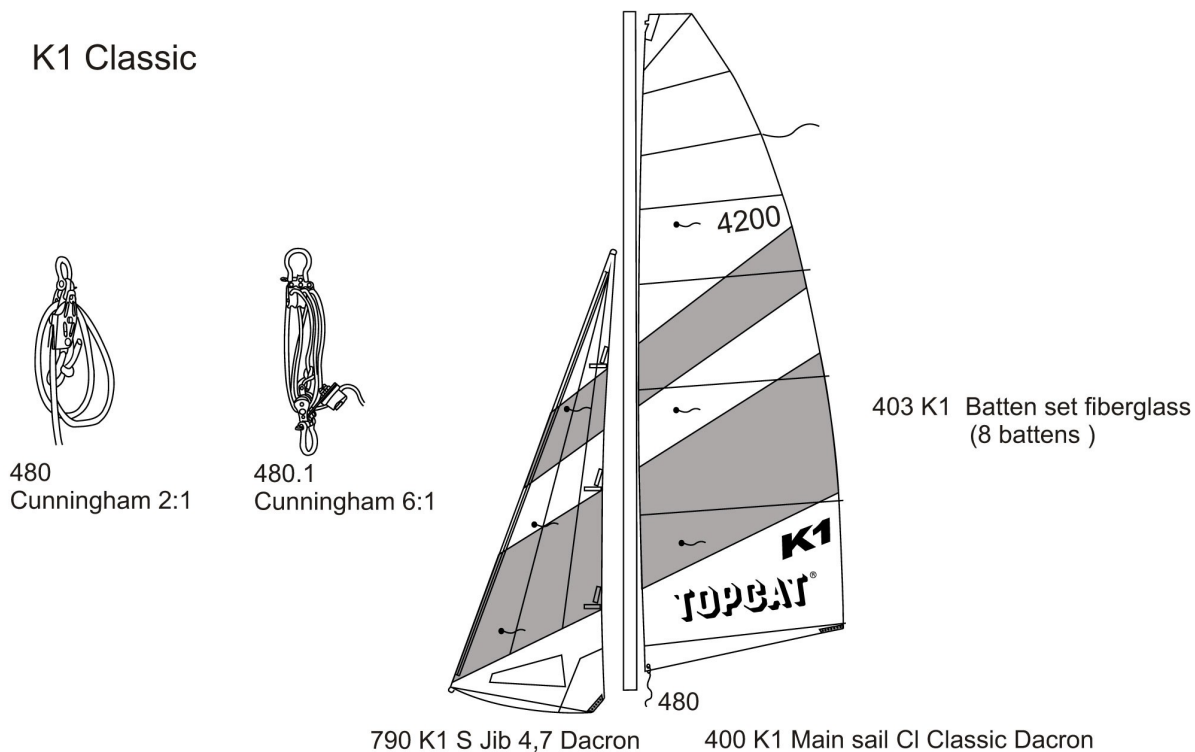


790 K1 S Jib 4,7 Dacron

790 K1 Jib 5,4 Dacron

450 K1 Main sail SC Dacron

K1 Classic



480
Cunningham 2:1

480.1
Cunningham 6:1

790 K1 S Jib 4,7 Dacron

400 K1 Main sail CI Classic Dacron

380 K Sheet set 10mm incl. 353.K, 784, 504 K1, 711 K, 712, 756,
380.1K Sheet set 8mm

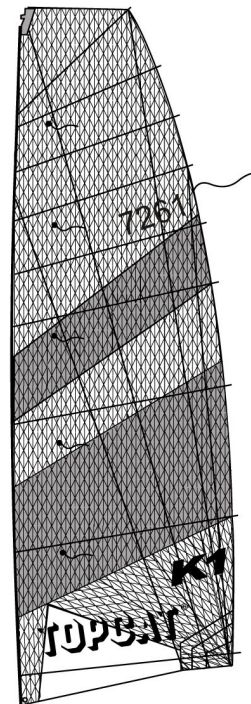
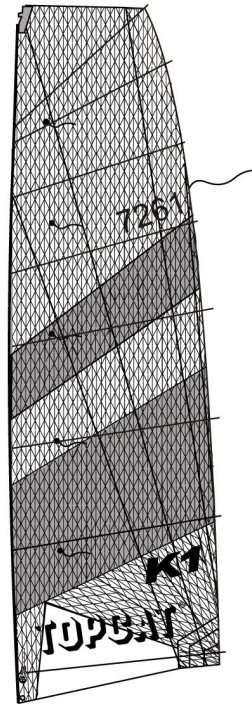
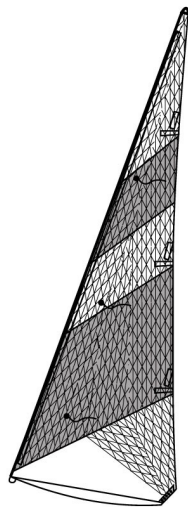
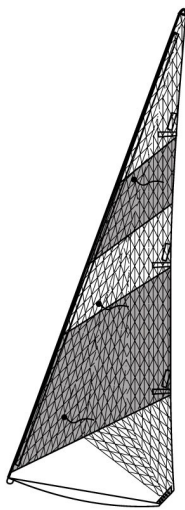
402 Sail sack

TOPCAT®

K1

K1 Regatta

400 K1
05/15



455 K



455 K

790 K1FS
Jib Pentex 4,7

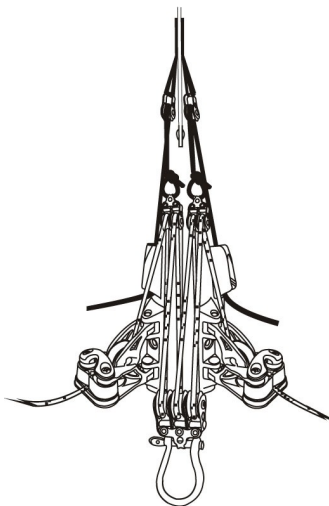
790 K1F
Jib Pentex 5,4

790.1 K1 FS
Jib Pentex smoke 4,7

790.1 K1 F
Jib Pentex smoke 5,4

Since 2014
450 K1F
Main sail Pentex
450.1 K1 F
Main sail Pentex smoke
453 K1 R F composite
(8 battens)
453.1 K1 R F compoflex
(8 battens)

Battens for main sail
Pentex before 2014:
9 battens
453 K1 F composite
453.1 K1 F compoflex



481



480.1
Cunningham 6:1

402 Sail bag

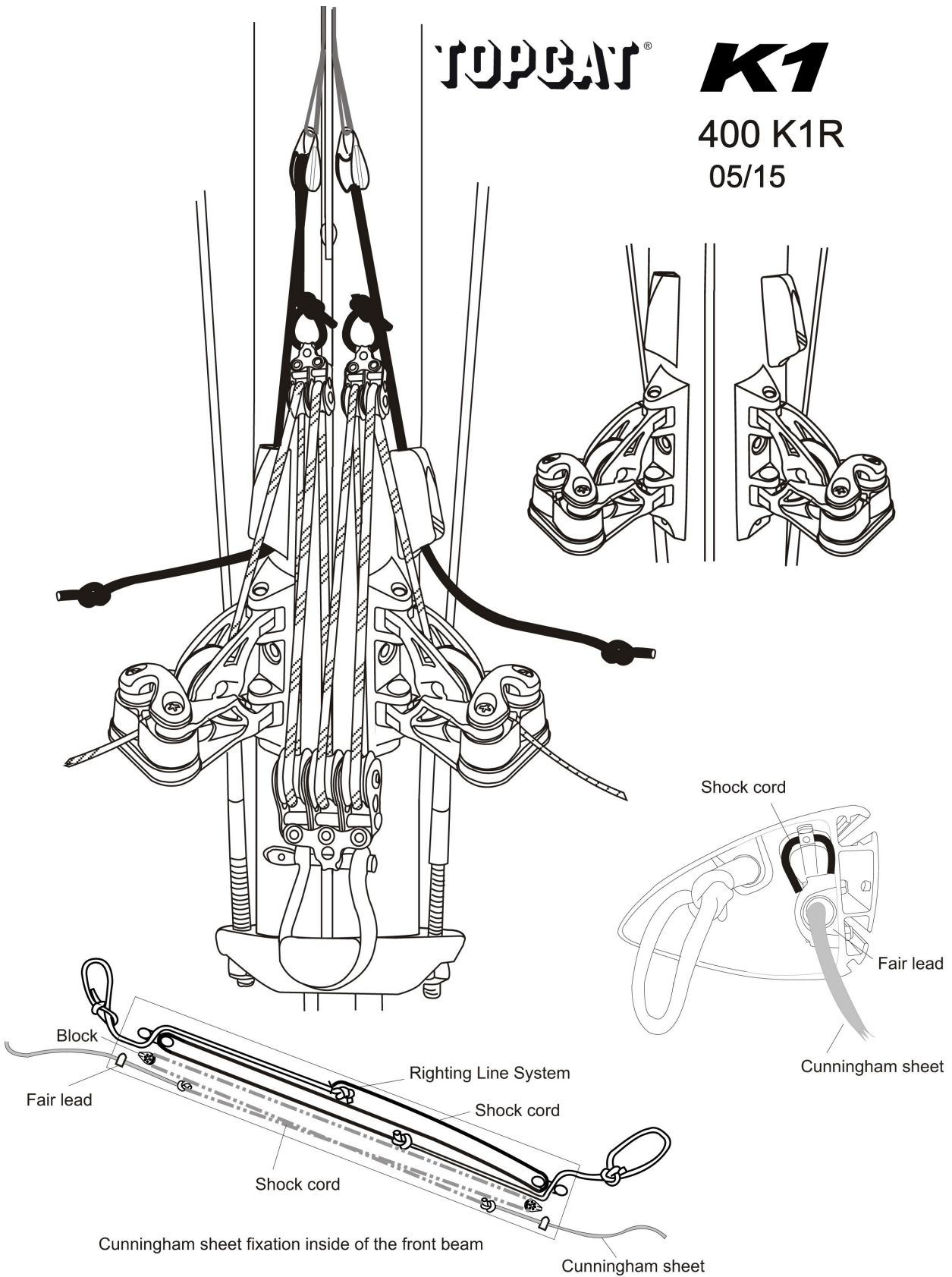
481 Cunningham ambition retrofit kit
480.1 Cunningham 6:1
380.1 K Sheet set complete 8mm without Gennaker
402 Sail bag

TOPCAT®

K1

400 K1R

05/15



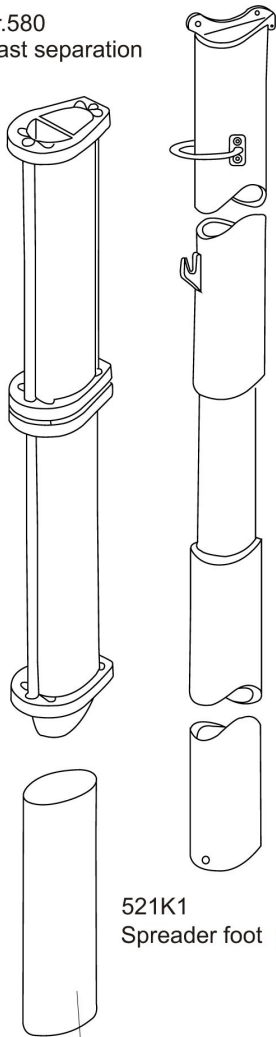
TOPCAT GmbH Watzmannstr.24 D-82205 Gilching
T: +49 (0) 8105 774 53 0 info@topcat.de www.topcat.de

TOPCAT® K1

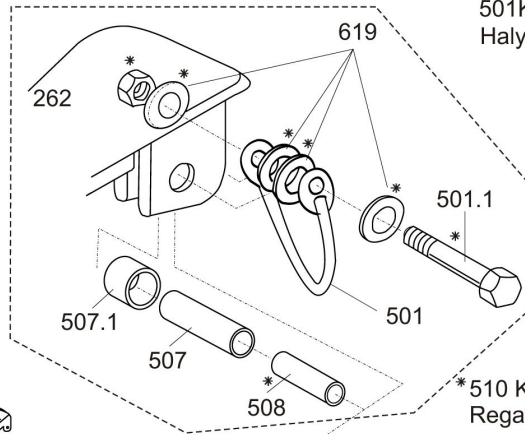
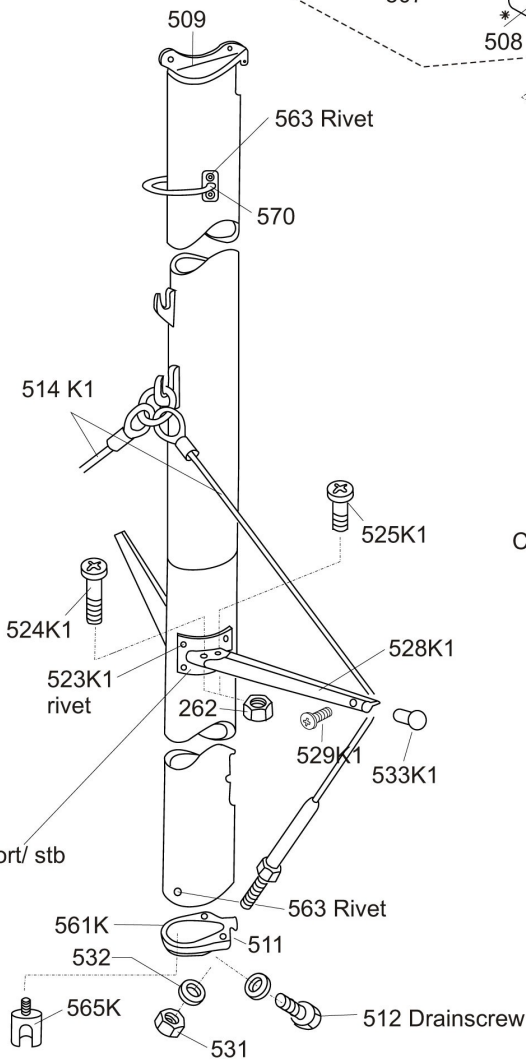
500 K1 05/15

500 K1 Mast
500 K1 T Mast with separation
not included: 514K1 Diamonds,
528K1 Spreader, 570 bracket

Nr.580
Mast separation

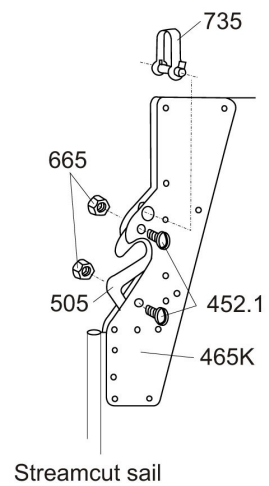
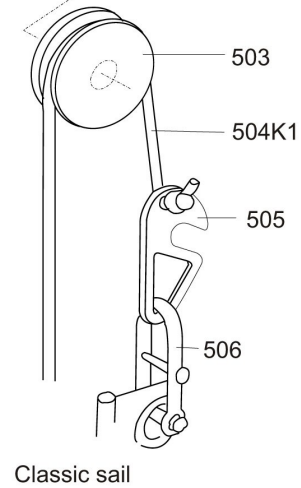


580.1
Polystyrene foam core



501K
Halyard lock set

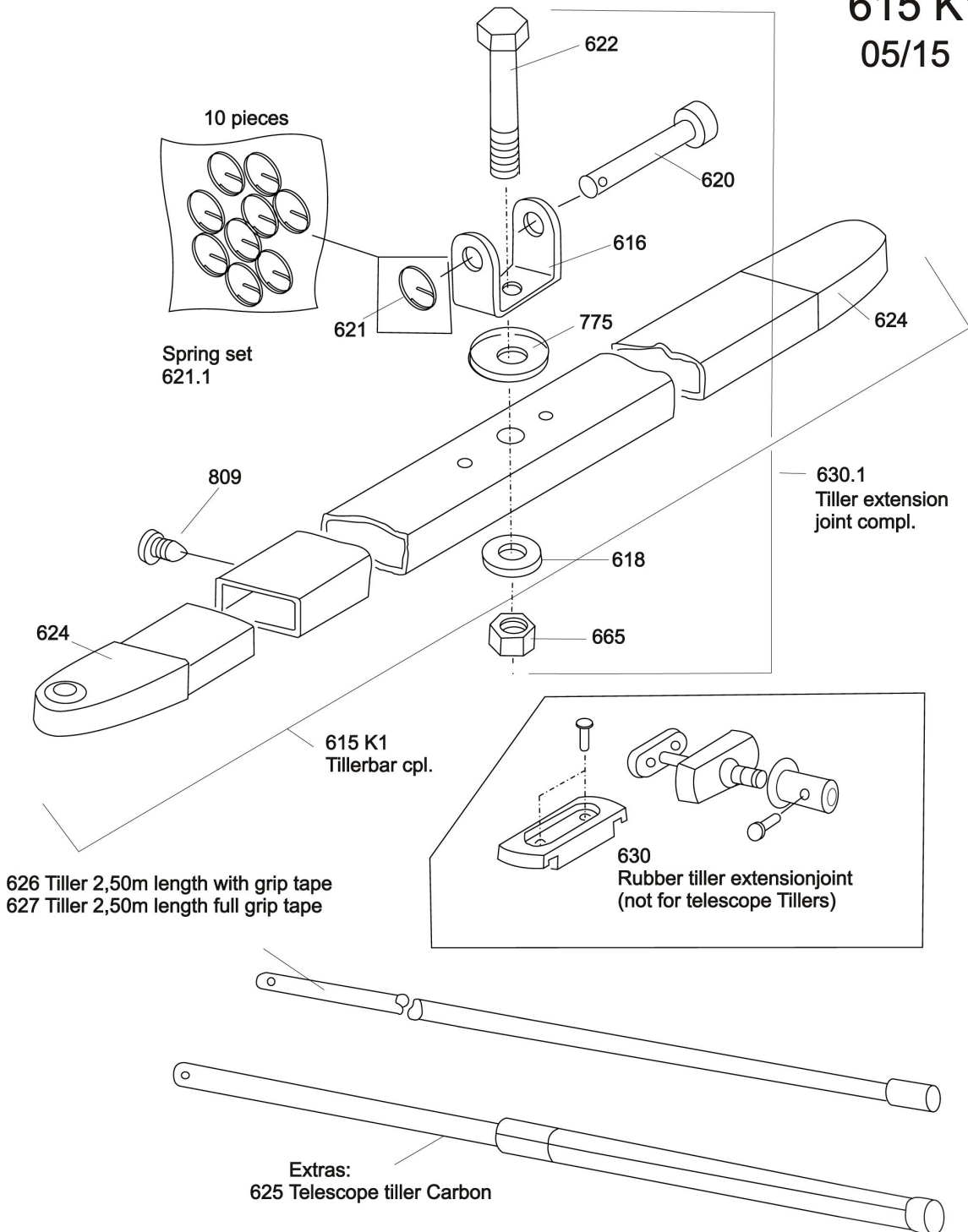
*510 K1
Regatta since 2014



TOPCAT®

K1

615 K1 05/15

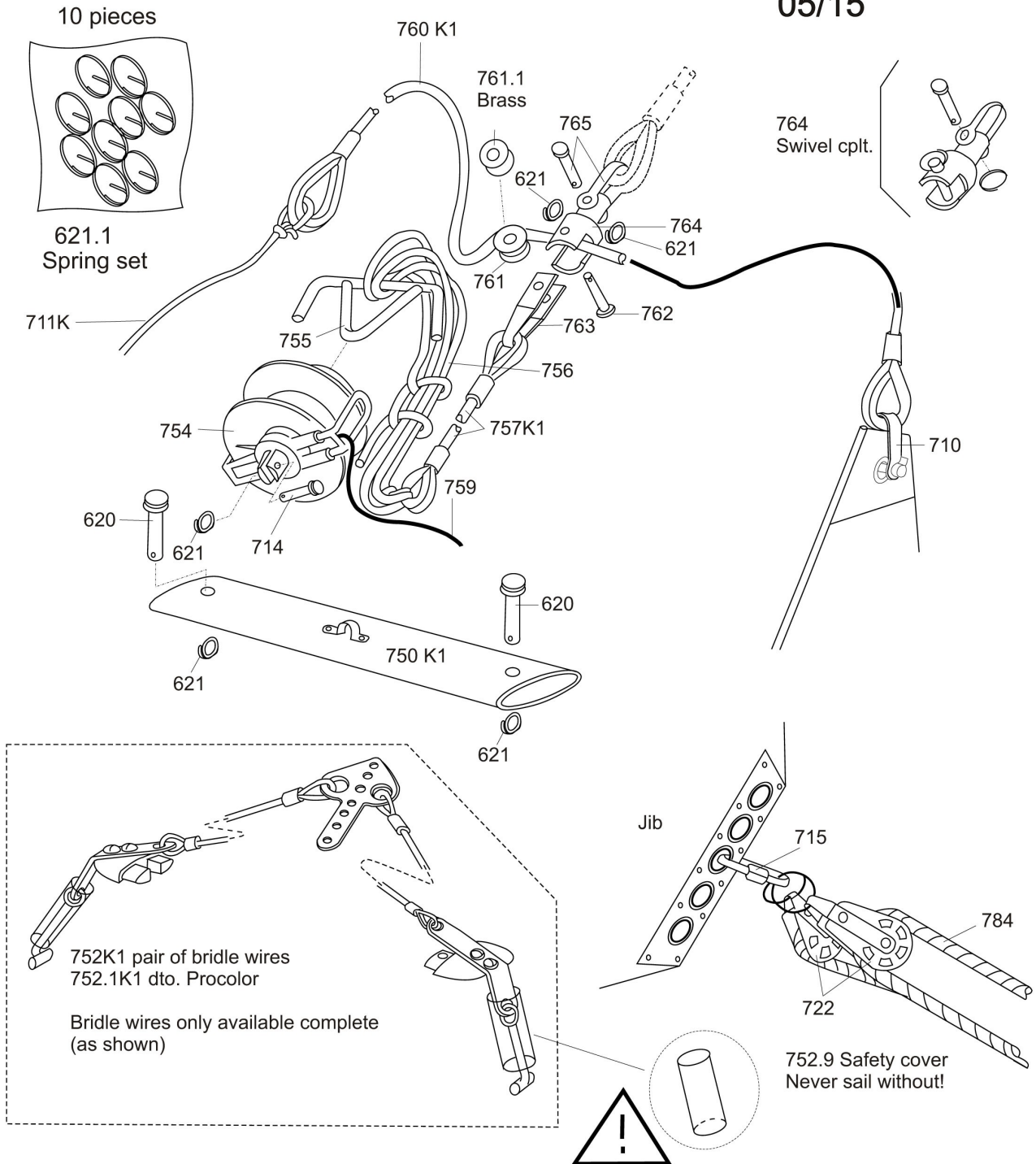


TOPCAT®

K1

Extra:
Telocat No. 1567

750 K1
05/15

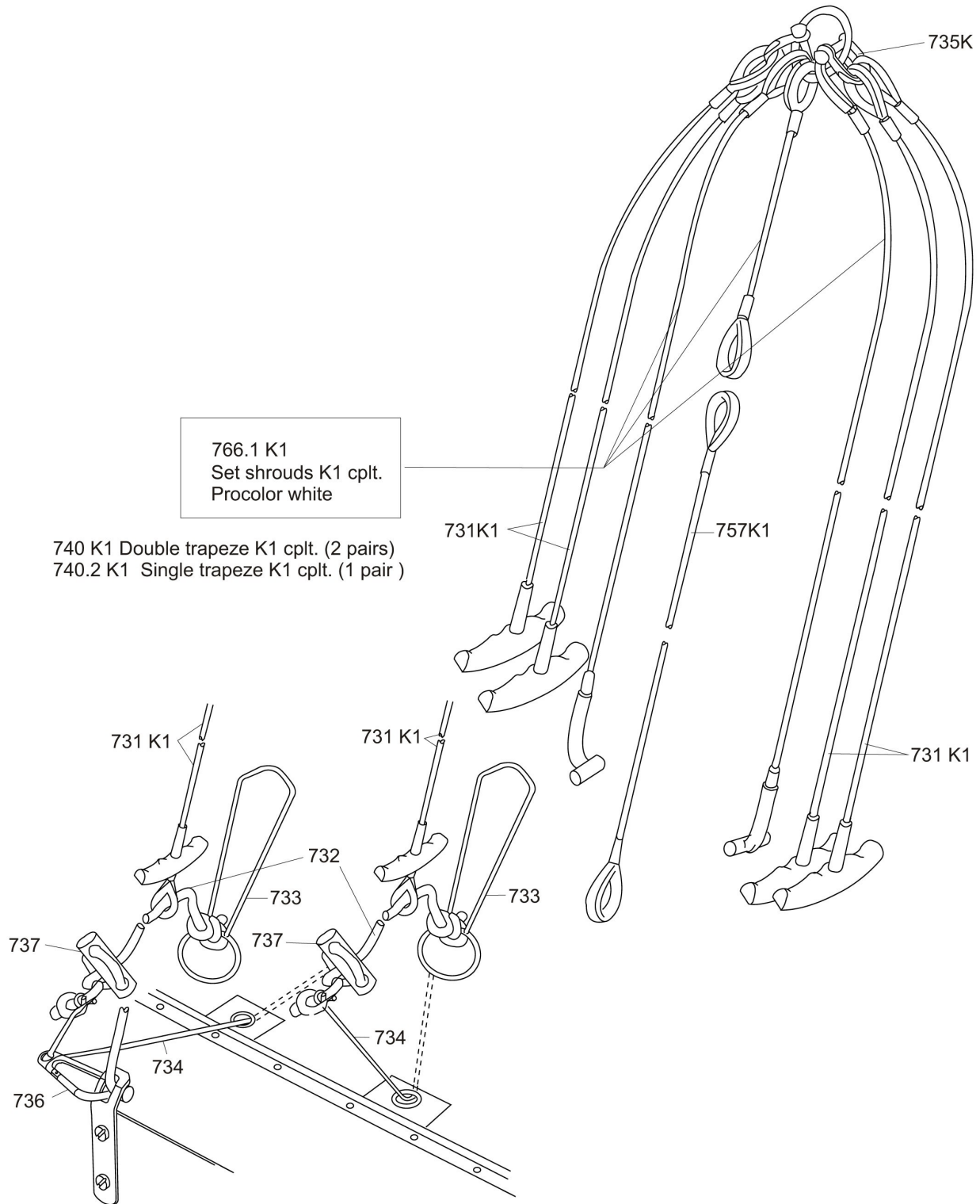


TOPCAT[®]

K1

766 K1

05/15



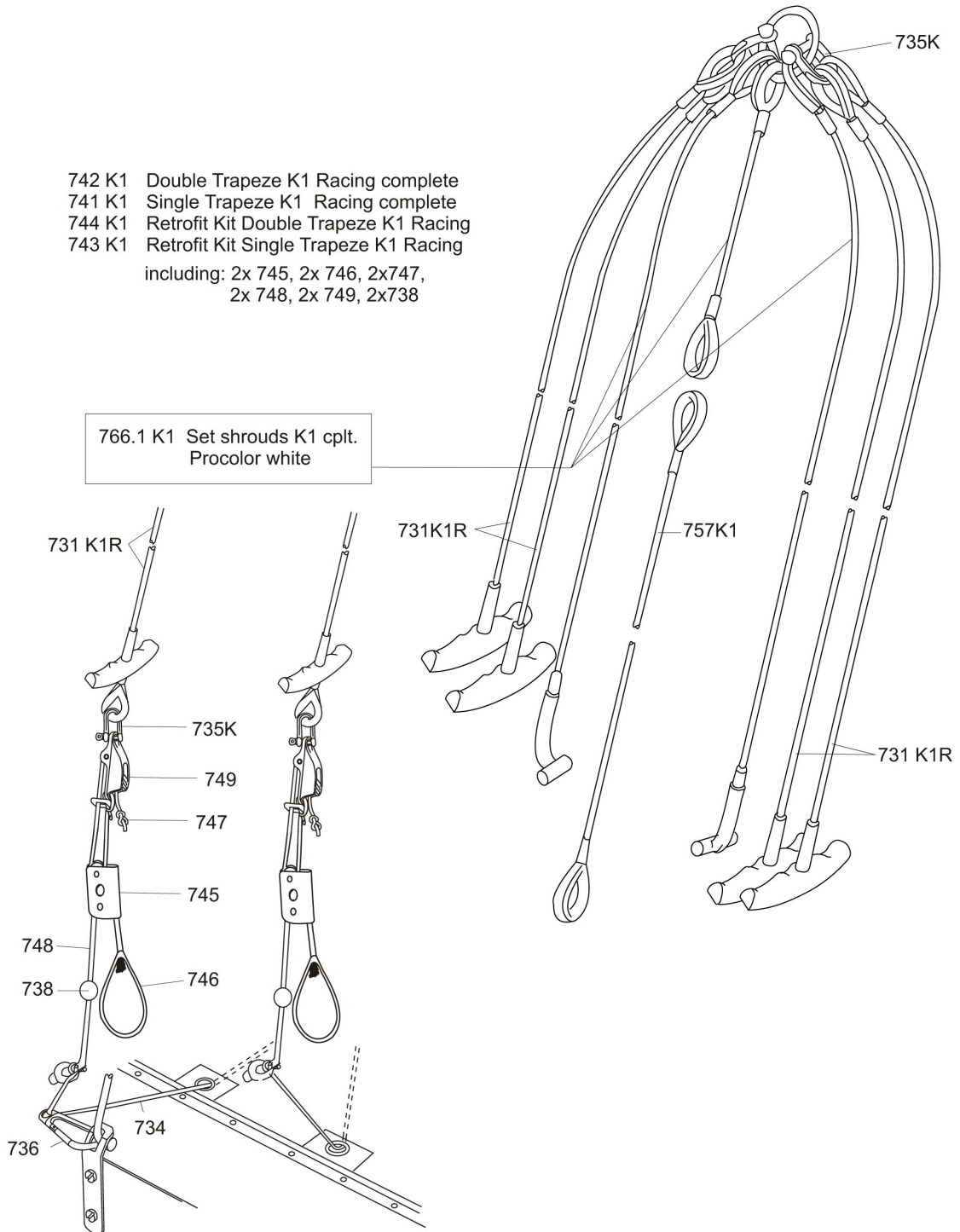
TOPCAT®

K1

766 K1R

05/15

- 742 K1 Double Trapeze K1 Racing complete
 - 741 K1 Single Trapeze K1 Racing complete
 - 744 K1 Retrofit Kit Double Trapeze K1 Racing
 - 743 K1 Retrofit Kit Single Trapeze K1 Racing
- including: 2x 745, 2x 746, 2x747,
2x 748, 2x 749, 2x738



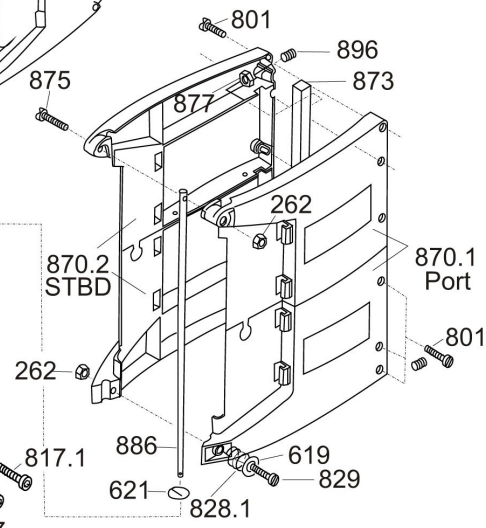
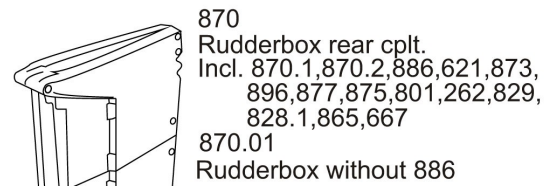
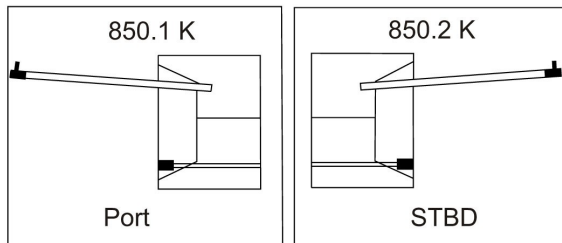
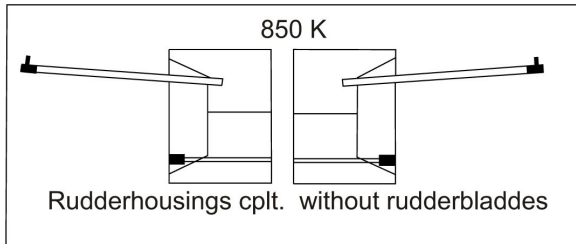
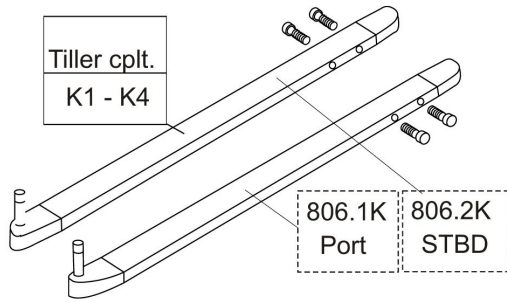
TOPCAT GmbH Watzmannstr.24 D-82205 Gilching
T: +49 (0) 8105 774 53 0 info@topcat.de www.topcat.de

TOPCAT®

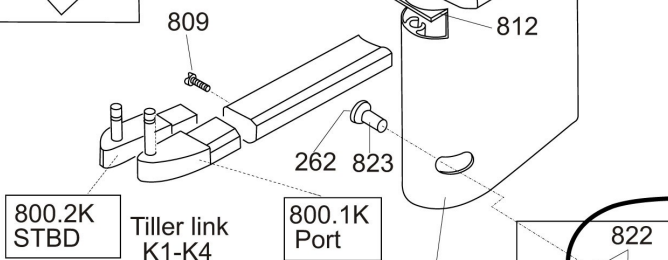
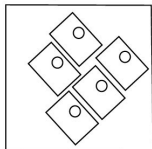
K1

830 K1

05/15



812.1 Slidepades set 10 pieces



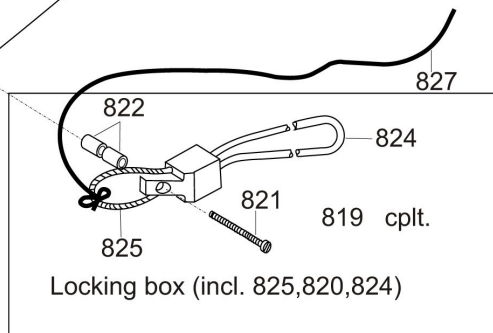
800.2K STBD Tiller link K1-K4
800.1K Port

Alloy rudderhousing without locking box (819) incl. tiller K1-K4

830.1K Port	830.2K STBD
-------------	-------------

Alloy rudderhousing only

860.5 Port	860.6 STBD
------------	------------



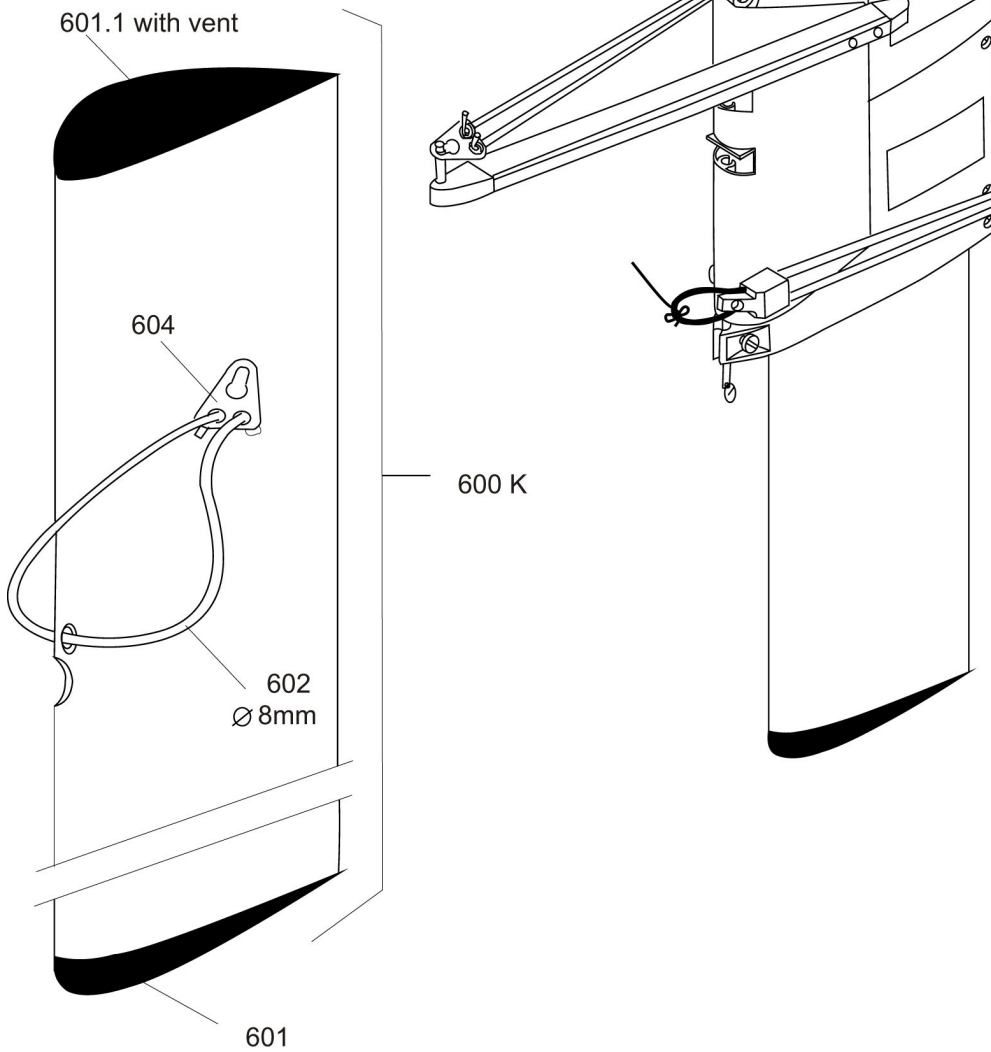
TOPCAT®

K1

870 K1

05/15

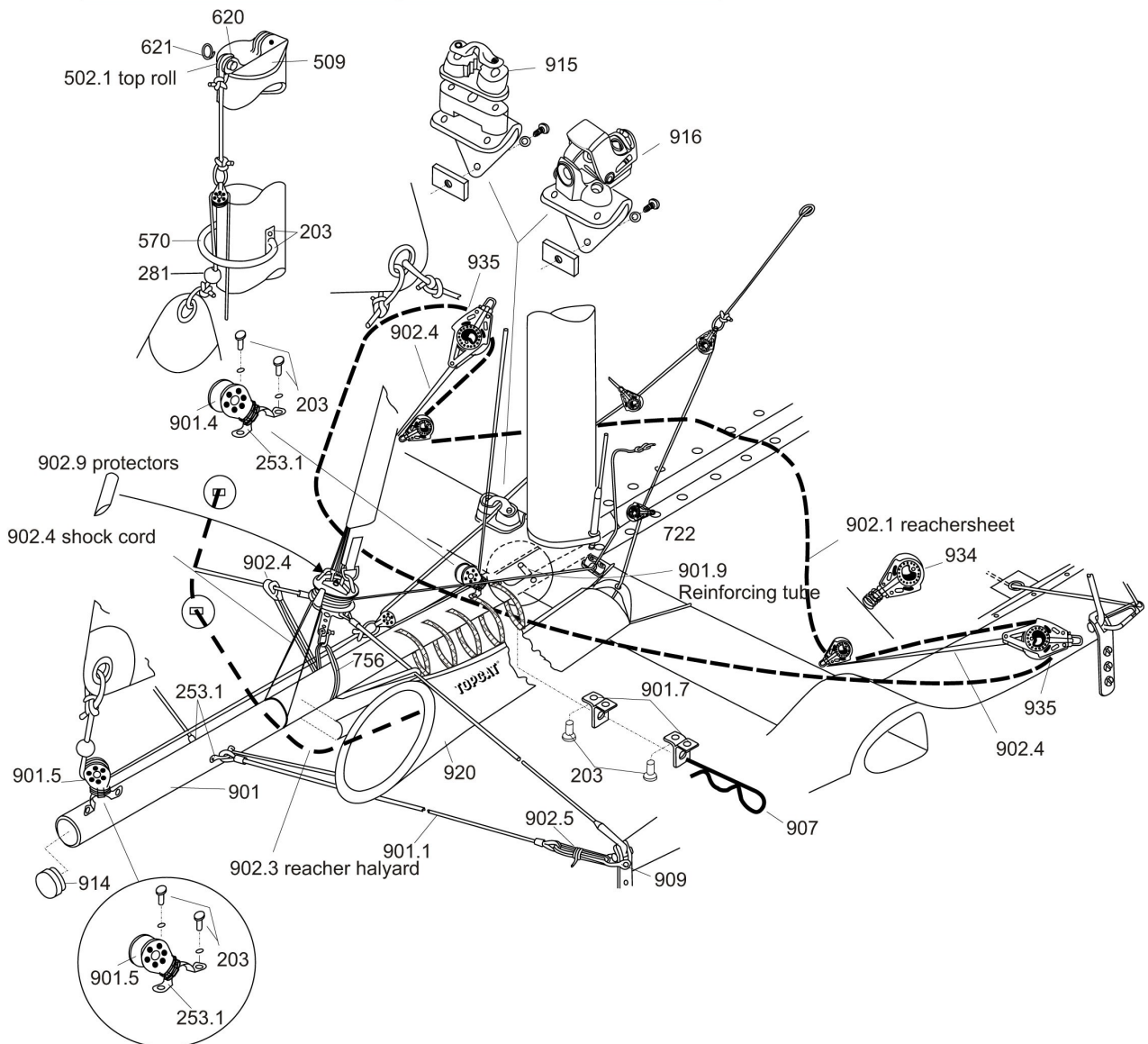
600K K1 +K2 + K3 +K4
Rudder blade incl. end plugs
(without 602, 604)



TOPCAT® K1-4

900
05/15

Reachersystem complete with preparation & snuffer K1: 1210 K2: 1211 K3: 1212 K4: 1213	
Reacher set without preparation K1: 1202 K2: 1203 K3: 1204 K4: 1205	
Reacherpreparation K1/K2/K3/K4: 1200	
Reacher snuffer system K1/K2/K3/K4: 1201	Reacher: 940 K1/940K2/940K3/940K4
Whisker pole incl. all fittings 900K1/900K2/600K3/900K4	Sheet set Reacher: K1/K2/K3/K4: 902



TOPCAT GmbH Watzmannstr.24 D-82205 Gilching
T: +49 (0) 8105 774 53 0 info@topcat.de www.topcat.de